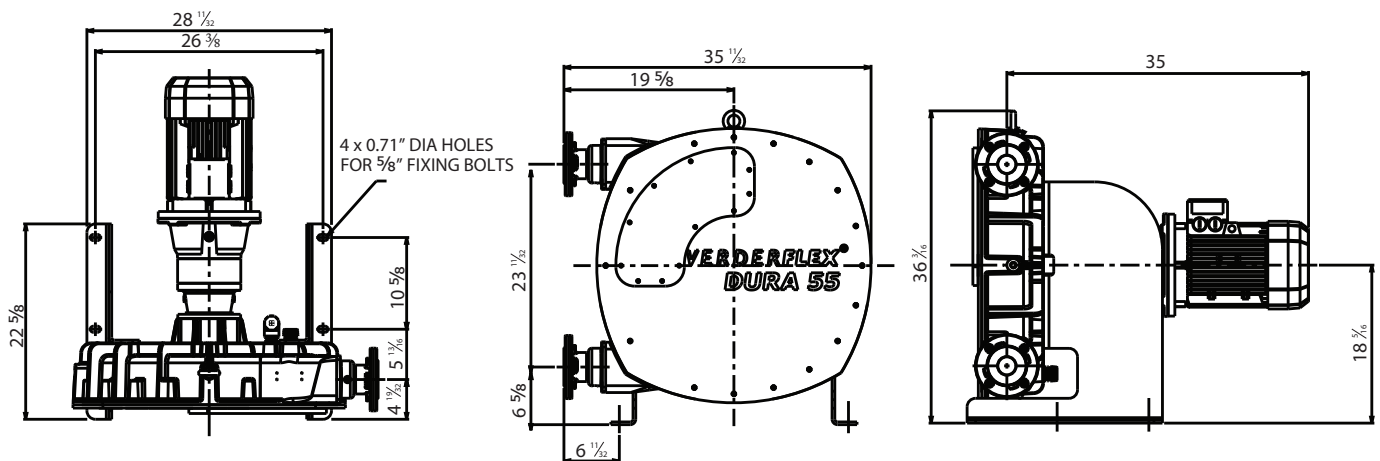


# Verderflex Dura 55



VERDERFLEX®

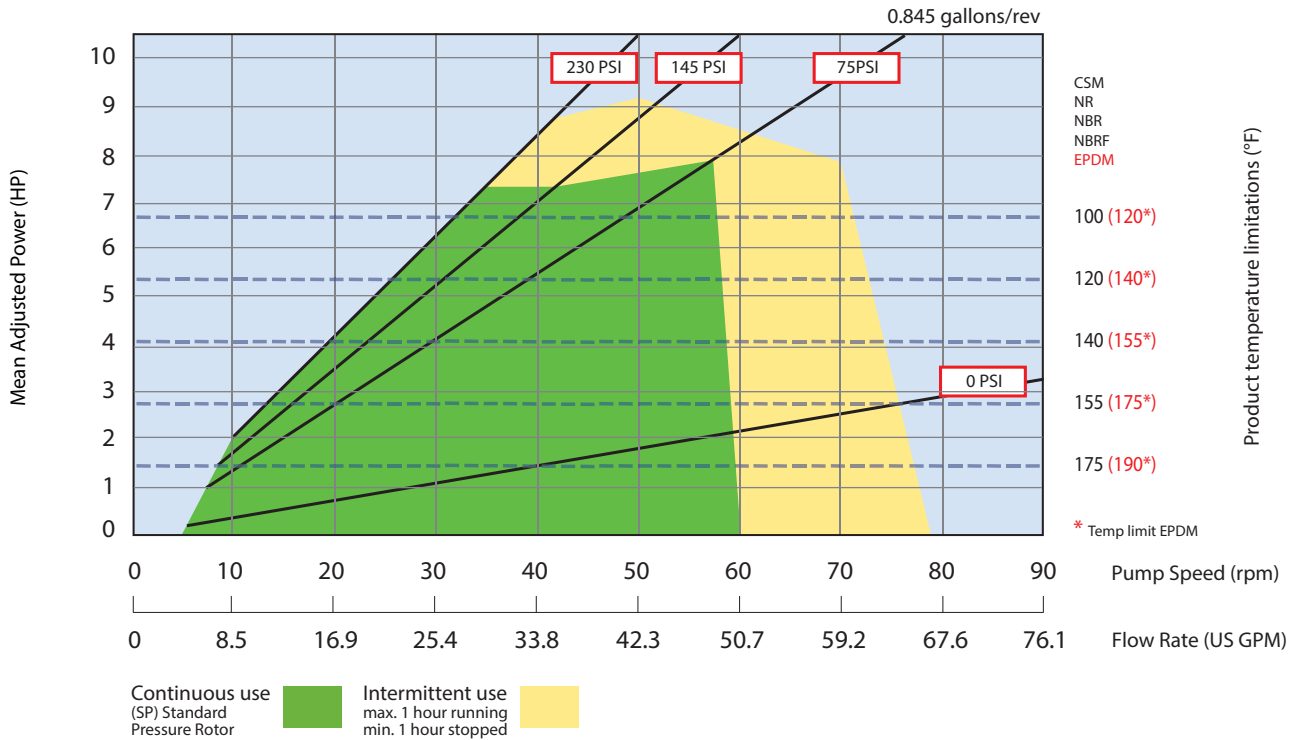
Description	Material	Paint Detail
Pump Housing	SG Iron	Green Powder Coated
Front Cover	Steel	Powder Coated
Window	Plexyglass	
Rotor	SG Iron	
Rotor shoes	Cast Aluminium, other materials to order	
Rotor attachment	Keyless Friction Bush, including stalled rotor protection	
Bearing Housing	Cast Iron	Green Powder Coated
Front bearing	Deep Groove Ball Race	
Rear bearing	Deep Groove Ball Race	
Drive shaft	Heat treated steel	
Shaft Seals	Viton option PTFE	
Mounting Frame	Steel	Powder Coated
Hose options	Natural Rubber (NR) Options: Nitrile Buna Rubber (NBR) Ethylene Propylene Diene Monomer (EPDM), Food Grade Nitrile Buna (NBRF) and Hypalon® (CSM)	
Port Flange	316 Stainless Steel Universal slotted design 2½ (63mm), ANSI 150#, DIN PN16, & JIS10K Options: 316 Stainless Steel with Polypropylene or P.V.D.F Insert	
Lubricant options	Verderlube - Glycerine based lubricant Verdersil - Silicone based lubricant	
Weight with typical GMU	950 lbs	



All dimensions are in inches.  
All dimensions and weights are for guidance only.



# Verderflex Dura 55



Flows are typical and were measured with water at 65°F with 3 feet suction lift or discharge pressure. Actual flows will vary according to suction conditions, discharge pressure and normal component production tolerances.

## Preferred Pump Options for 60Hz Motor Fitted With Planetary Gearbox, Suitable for Inverter Duty Motor

Flow US GPM	Pump Speed RPM	Installed Motor Power HP	NEMA Motor Frame Size	Maximum Pressure (PSI) with installed motor
19	23	5	184TC	110
28	34	10	215TC	110
48	57	15	254C	90

Other flow rates and discharge pressures are available on request.

Find your local supplier  
at [www.verderflex.com](http://www.verderflex.com)

For construction installation and floor mounting drawings please contact your local authorised Verderflex® distributor.

**VERDER**  
passion for pumps